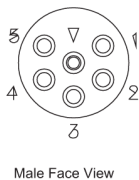
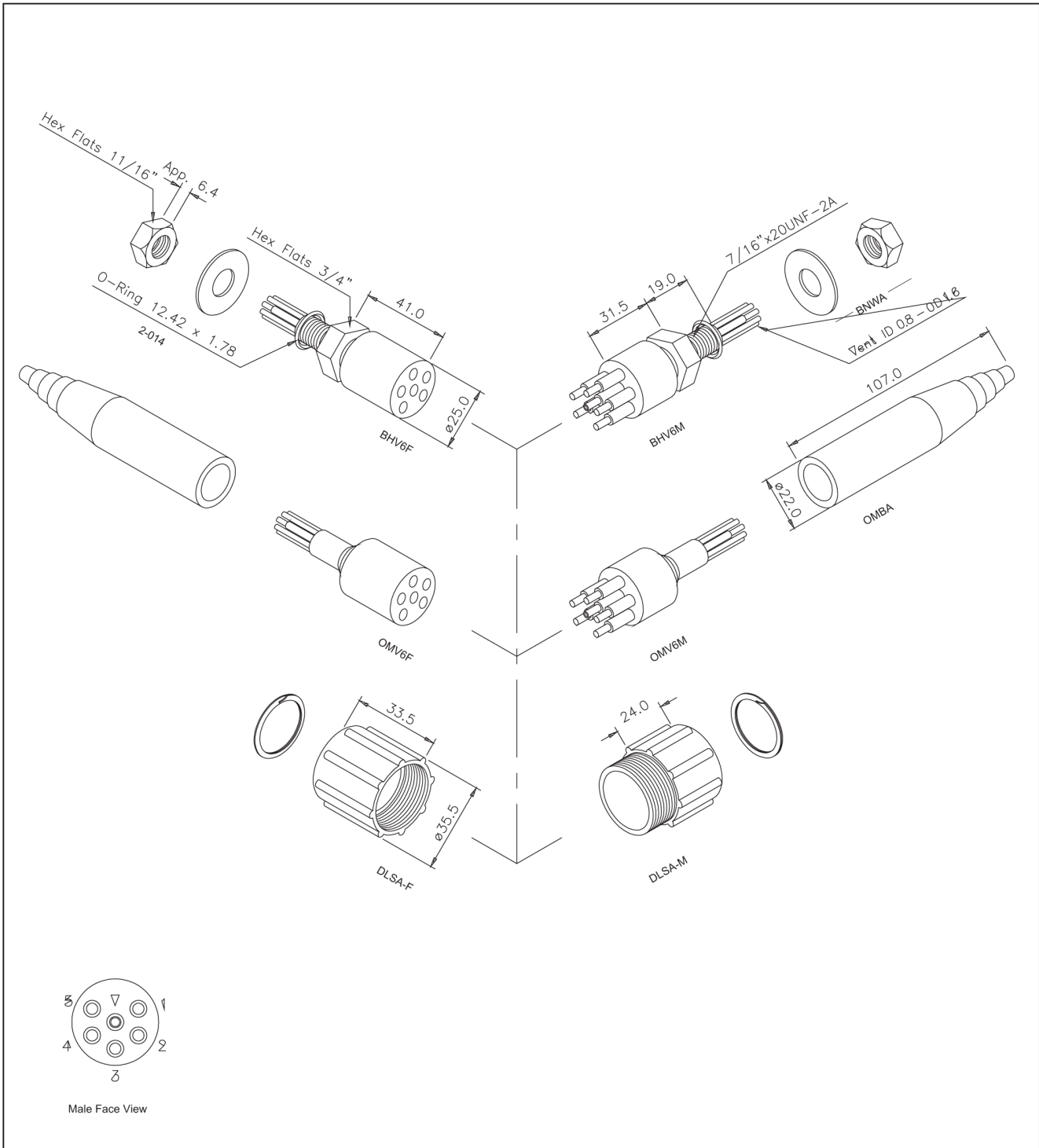


SubConn® Specials VentConn 5 Contacts 1 Vent



	Connector Specifications	Material Specifications	Dimensions in mm. Threads in inches. 1 inch = 25.4 mm. 1 mm = 0,03937 inch.
(Bulkhead Leads Number Tagged)	Single Contact Rating : 600 V @ 15 Amp Connector Rating 2-4 pins : 600 V @ 10 Amp Connector Rating 5 pins : 600 V @ 6 Amp Insulation Resistance : >200 megaohm Contact Resistance : <0,01 ohm Wet Matings : >500 Temp. Rating : -4° to +60° C : 25° to 140° F Depth Rating : 1.400 bar - 20.000 psi	Connector Body : Neoprene (CR) Bulkhead Body : Brass UNS-C36000 Contacts : Brass UNS-C36000 Nuts & Washers : Brass UNS-C36000 'O' Rings : Nitrile Locking Sleeve : Delrin Snap Ring : AISI 302 BH Leads (30 cm) : 18 AWG 1,0 mm ² Teflon Options : See index pages	Modification rights reserved
			Drawing No. SE 300-79