

Subconn®

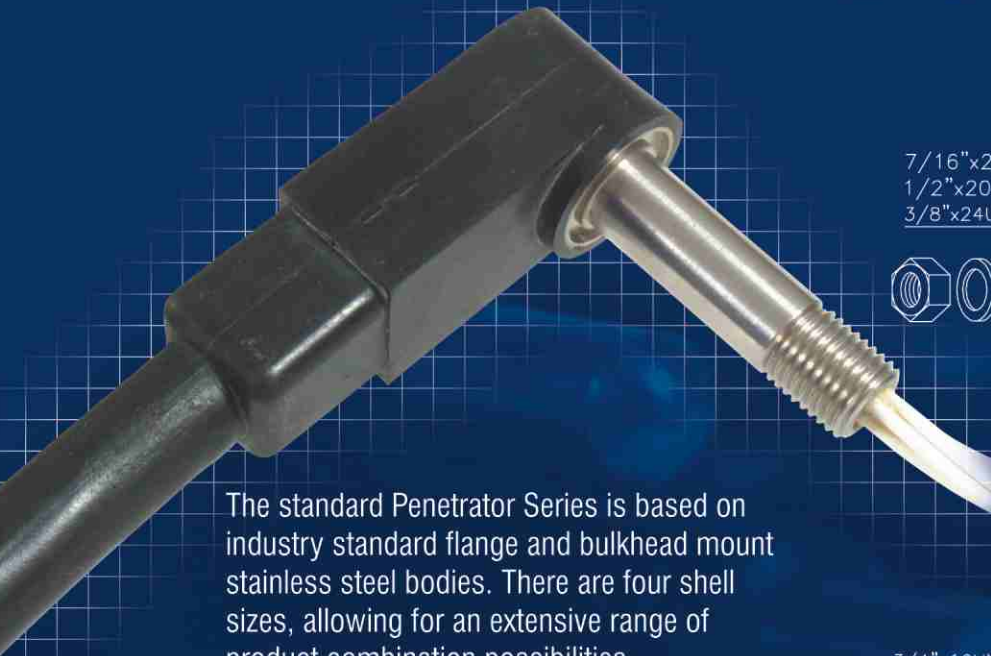
Introduction

Over the last 20 years, the Subconn® wet mateable electrical connector has become an industry standard in most marine related markets.

In 1978 the MacArtney Underwater Technology Group made an exclusive agreement with the US manufacturer, Loup Valley Machining and Manufacturing, to market and sell Subconn® connectors world wide.

The connectors are all based on a simple but rugged contact design, and are accepted as a cost effective solution by the offshore, military, geophysical, nuclear and ocean science markets. Hundreds of thousands of genuine Subconn® connectors are in service throughout the world.

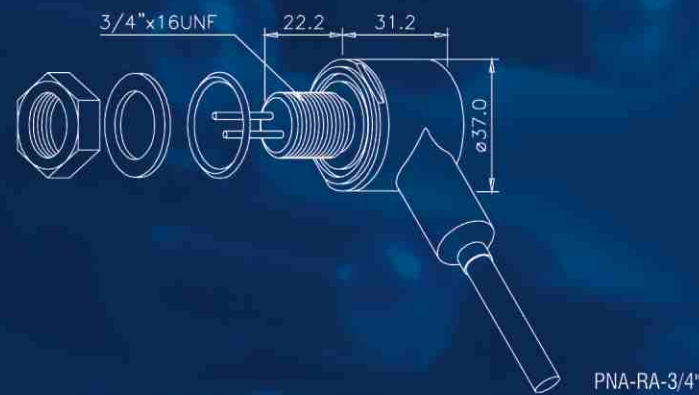
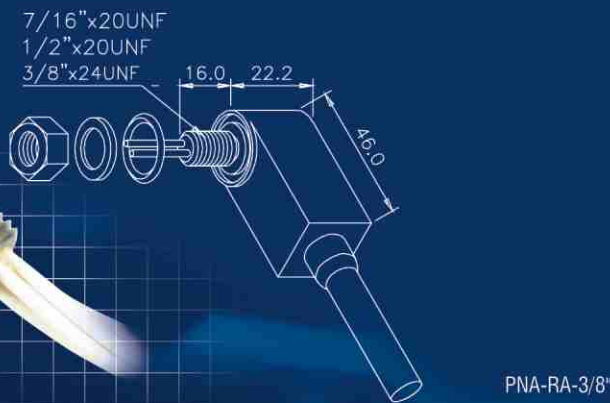
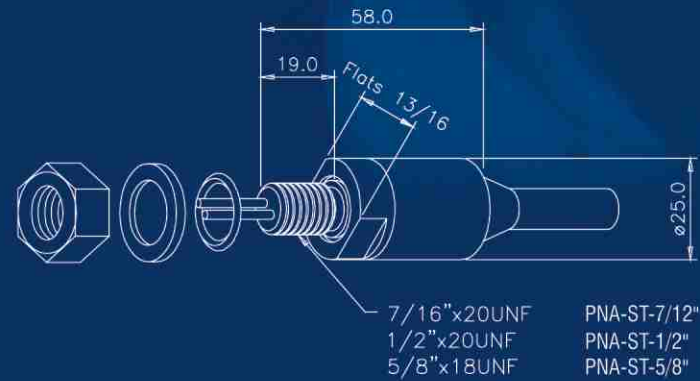
Subconn Penetrators



The standard Penetrator Series is based on industry standard flange and bulkhead mount stainless steel bodies. There are four shell sizes, allowing for an extensive range of product combination possibilities.

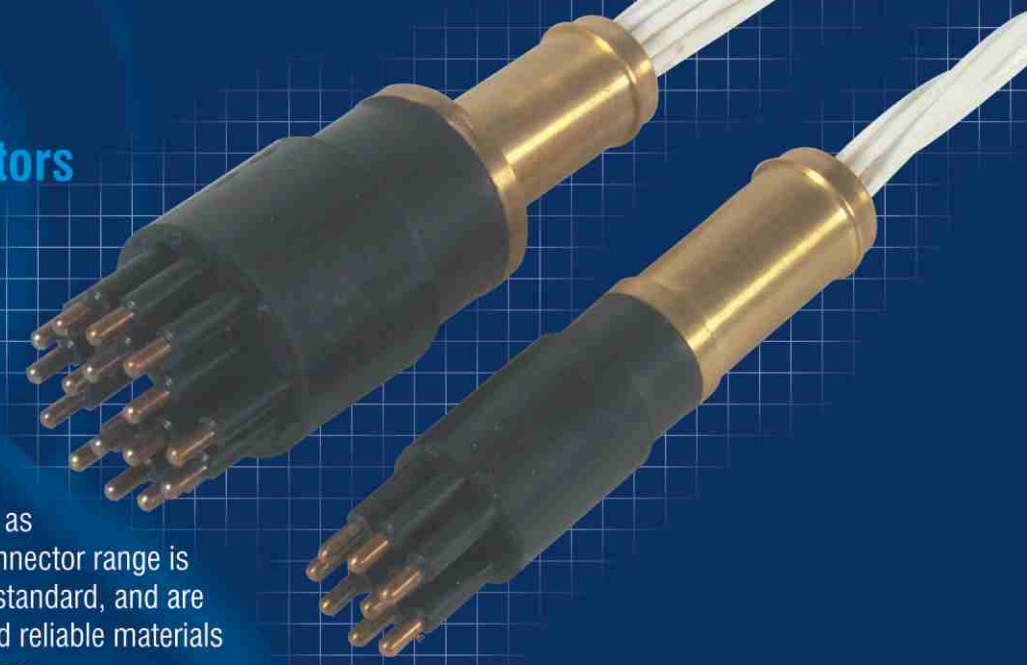
Both inline and right angle designs are available in neoprene.

Designs are not limited to standard bodies and many "specials" have been delivered. Combinations of power, signal and fibre optics are available in a single unit. Penetrators are used in many underwater applications where the use of a connector pair is either too costly or unnecessary, such as in ROV electronics bottles, camera and instrument housings, diving systems and underwater trenchers.



Subconn PBOF Connectors (Pressure Balanced Oil Filled)

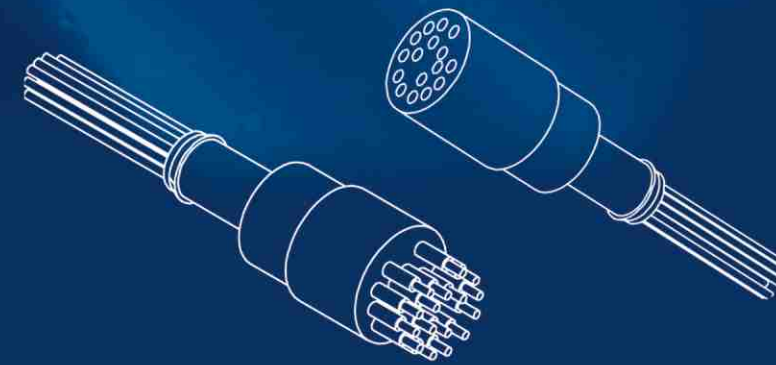
The Pressure Balanced Oil Filled connector range is designed for easy replacement, field repair and maintenance via oil filled pressure compensated hoses and junction boxes. Oil filled systems offer greater safety in hazardous environments, such as production platforms, etc. The PBOF connector range is available in the same configurations as standard, and are manufactured from the same rugged and reliable materials as the rest of the Subconn connector range.



To compliment connector sales, we offer a range of products and services.

These include :

- Inline and right angle electrical / fibre optic penetrators
- Hybrid electrical / fibre optic connectors
- Standard Subconn® inline connectors with polyurethane cable
- Cable stocks
- Standard and customised electro-mechanical terminations
- Stocks of other quality industry standard connectors
- Full ocean depth pressure testing
- Dynamic testing



Subconn Metal Shell

The Metal Shell Subconn® Series in stainless steel is available in three shell sizes compatible with industry standards.

Flange and bulkhead male and female versions are standard. Contact configurations range from 2 to 12 contacts rated 300 to 600 V at 5 to 15 Amp.

The connectors are designed to mate with compatible inline and dummy connectors. The connectors have an integrated locking ring thread on the body, and a special Delrin locking sleeve are available for all the Metal Shell connectors. Pigtail leads are number tagged Teflon wires.

